

IDLEWILD COLLECTION










ASSEMBLY INSTRUCTIONS



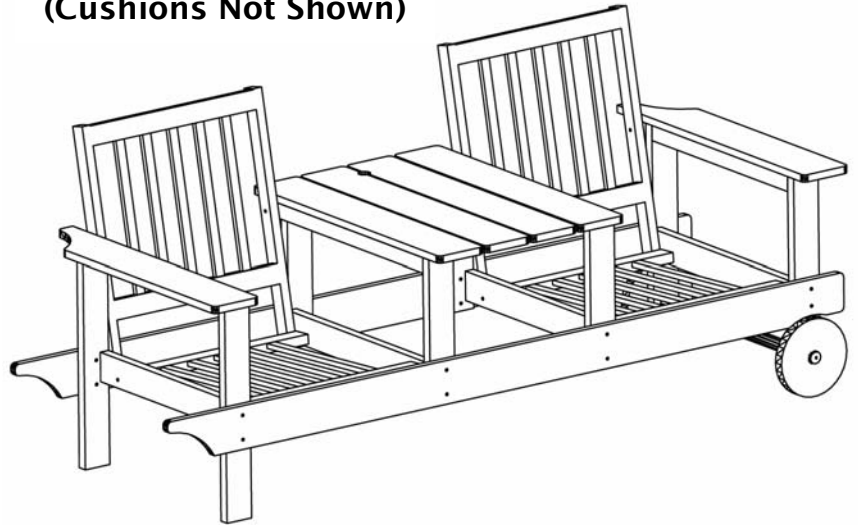
Lakeside Lounge

PLEASE READ COMPLETELY BEFORE STARTING ASSEMBLY

HARDWARE LIST

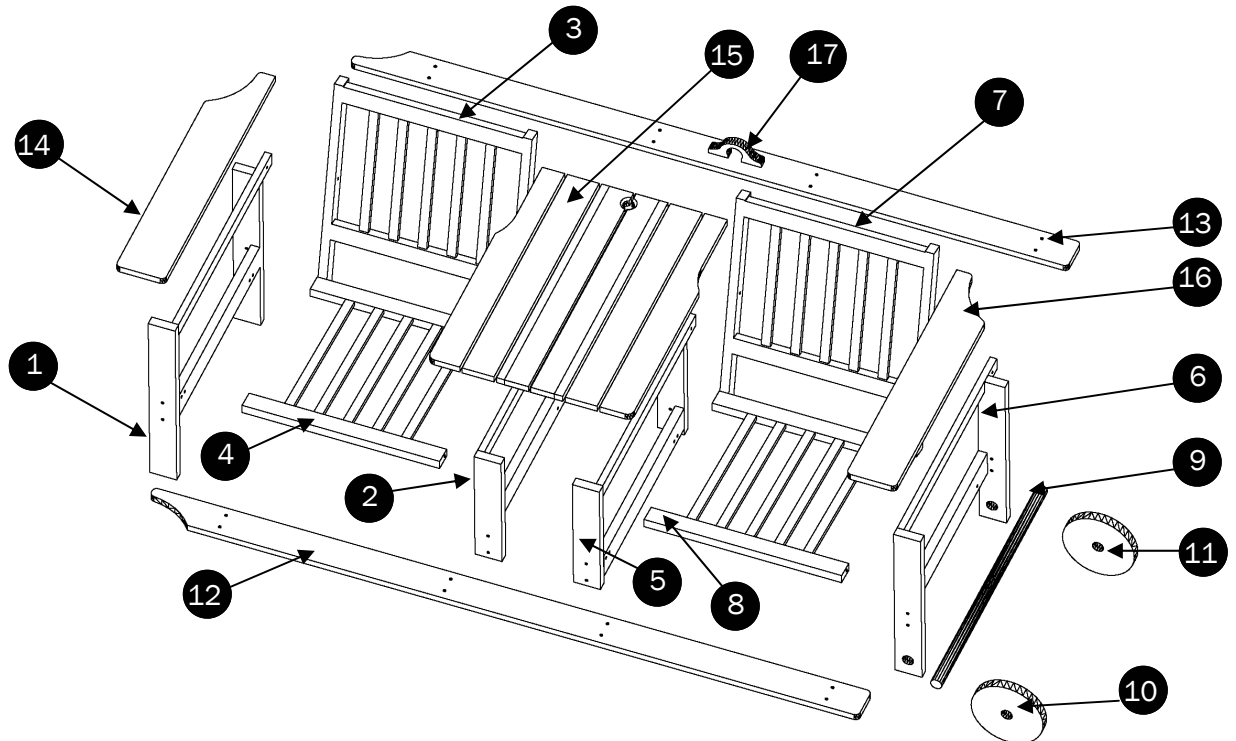
(A)		1 3/8 Allen Bolts	(4)
(B)		Allen Nuts	(4)
(C)		1 1/4" screw	(8)
(D)		2 1/2" lag bolt	(32)
(E)		1 1/2" lag bolt	(2)
(F)		Allen Wrench	(2)
(G)		Wood Dowel	(8)
(H)		Bushing	(2)
(J)		Large washer	(2)

ASSEMBLED LOUNGE (Cushions Not Shown)



All assembly done with Allen bolts, nuts and screws, as indicated in the drawings, then tightened into place with an Allen wrench or a Phillips screwdriver.

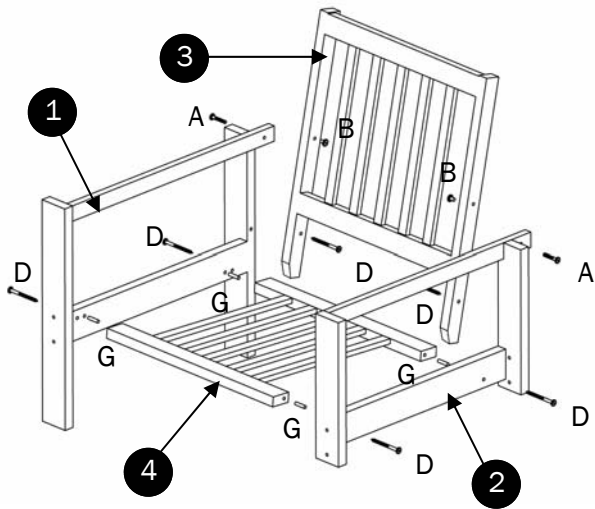
PARTS LIST



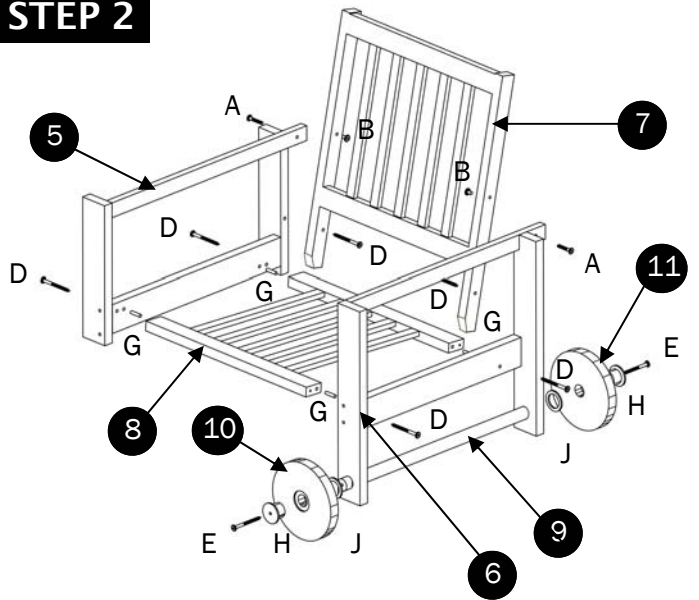
LWO Corporation/ P.O. Box 17125/ Portland, OR/ 97217

Phone 1-800-459-8718/ Fax (503) 286-4092/ Email: info@lwocorp.com/ www.arboria.com

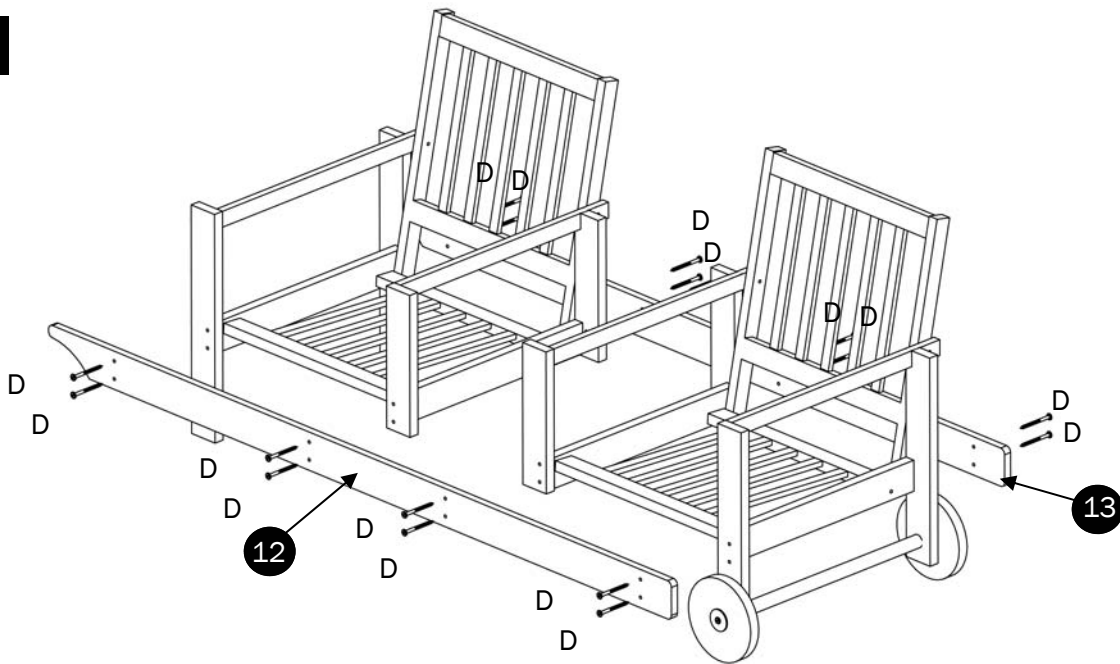
STEP 1



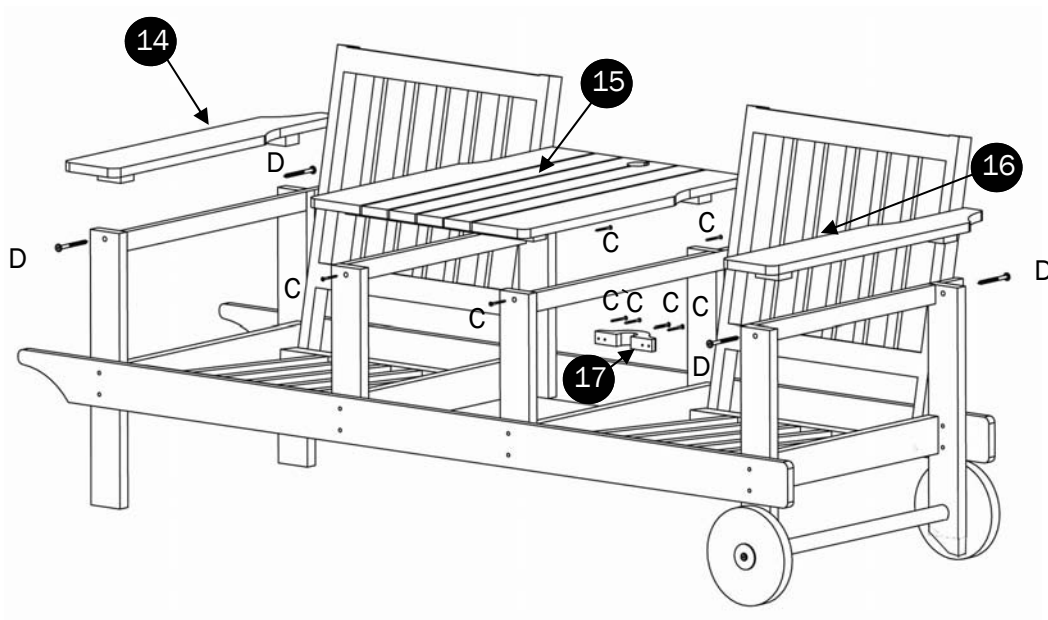
STEP 2



STEP 3



STEP 4





VO CORPORATION • PO Box 17125 • Portland, OR 97217
one: 1-800-459-8718 • Fax: 888 283-7661 • e-mail: info@lwocorp.net • www.arboria.com
made in Vietnam • 11/04

ABOUT YOUR PRODUCT

Your furniture is made from a very strong and very durable hardwood that will provide you with many years of handsome service. Your furniture has been refinished with a deep penetrating linseed oil-based coating that will preserve and enhance the wood's natural beauty. This factory applied oil has UV-inhibitors and mildewicides to protect from the damaging effects of sunlight, moisture, and mold and mildew, however, like all wood products subjected to weather, small hairline cracks may develop. These should in no way impair the strength and usefulness of the furniture.

CARE AND MAINTENANCE

Before Assembly We recommend, but it is not mandatory that you condition the wood with one of a number of widely available furniture oils prior to assembly (applying an oil is much easier when the product is unassembled). This conditioning will revitalize the wood after what may have been a long duration since it received its factory applied oil finish. Howard's Orange Oil comes in a handy spray bottle (1-800-266-9545), and Wadco makes a series of quality products including Teak Oil (1-800-323-3584). Regular reconditioning will keep the furniture looking its best. Before storing or covering for the winter is a good time to recondition and to retighten bolts and screws that have loosened with use. After 12-48 months After 12-48 months your furniture may have silvered under the sun's rays and you may prefer the wood's darker original appearance. To restore the original appearance you will need to apply an oil stain. We recommend using either Cabot's Australian Timber Oil (1-800-USStain) or Penofin's Hardwood Penetrating Oil Finish (1-800-PENOFIN). Both are widely available and contain solids that will restore a darker color to the wood. Please be sure to follow the manufacturer's directions for preparation and application.

ENVIRONMENT

LWO Corporation, the maker of Arboria Products, is the first North American member of the Tropical Forest Trust (TFT), an international organization working to conserve tropical forests, and recipient of the World Wildlife Fund (WWF) Gift to the Earth Award. As a TFT member LWO Corporation has also ensured that all of our deliveries of tropical hardwood garden furniture can be traced to known and legal sources, using independently certified "chain of custody" tracking systems. Through TFT, LWO is funding tropical forest projects to help local foresters reach internationally recognized standards of environmental and social good practice.

Cushion Care For Arboria Cushions

Care instructions intended for Arboria striped olive green cushions. If your Lounge was packaged with an alternative cushion style, or if you have purchased different cushions, please consult manufacturers' suggested cleaning methods.

Arboria cushions are 100% polyester. During cold/wet season we recommend storage of cushions indoors, in a dry location. Do not wrap cushions in plastic, as breathing is necessary to prevent mold/mildew growth.

Cleaning instructions:

Do not machine wash. Cleaning by hand is easy, simply use a sponge and mild liquid soap (most dish soaps will work fine). Add dish soap to warm water creating a similar concentration to that used for washing dishes. Apply soapy water to cushions as needed, rinse with warm, clean water. Do not subject fabric to water temperatures in excess of 100°F. Do not soak or submerge cushions in water.

Alternatively, proprietary fabric cleaners or protectants which are recommended for polyester may be used. 3M Scotchguard is a well-respected brand which offers both a protectant and cleaner. If using a proprietary cleaner, always follow manufacturer's written instructions and precautions for fabric type. Do not use bleach or harsh cleaners.

